

E4 Pro Flangeless Trims

1.0

VISUAL COMFORT & Co.

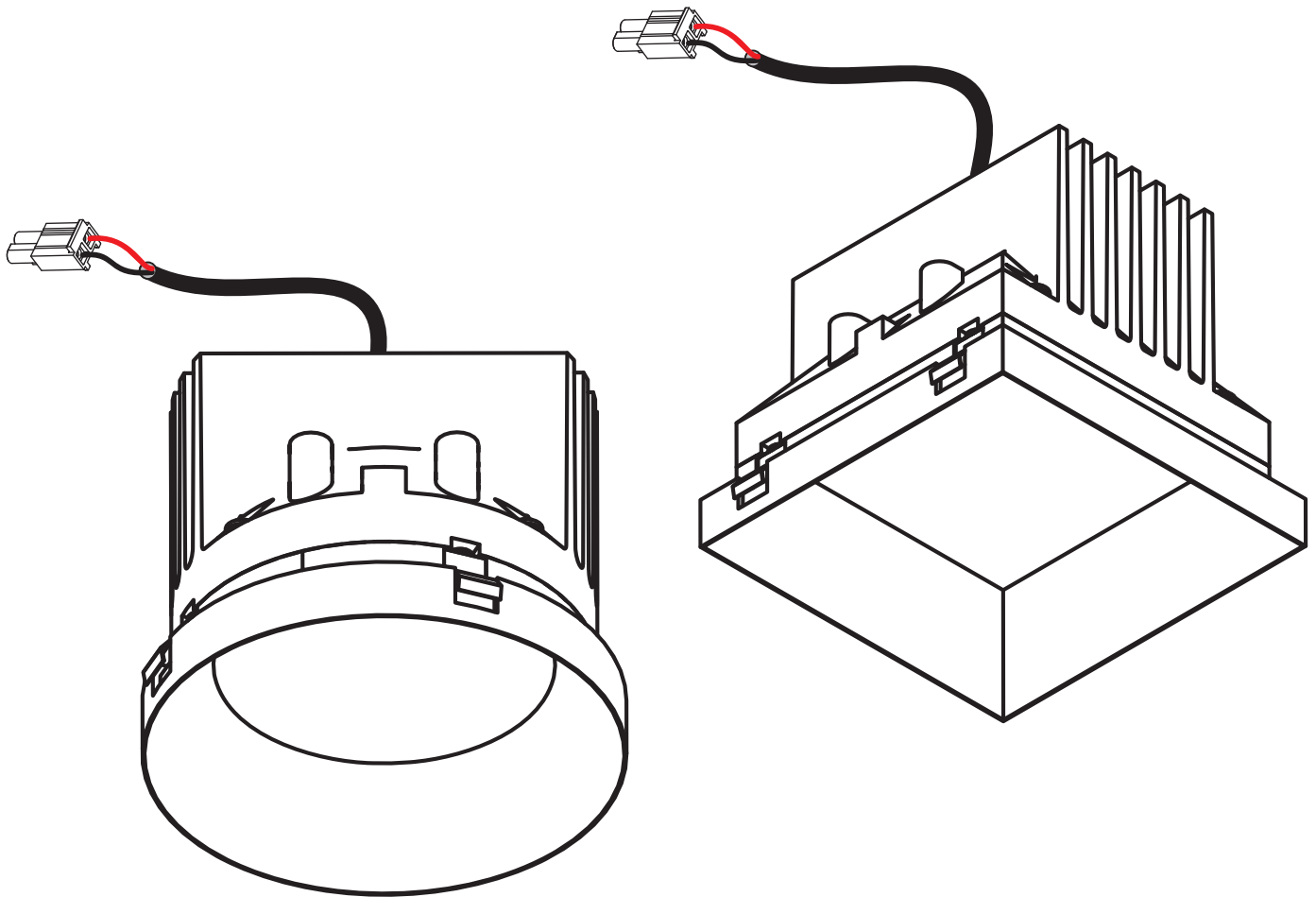
ARCHITECTURAL COLLECTION

FLANGELESS TRIMS

GENERAL PRODUCT INFORMATION:

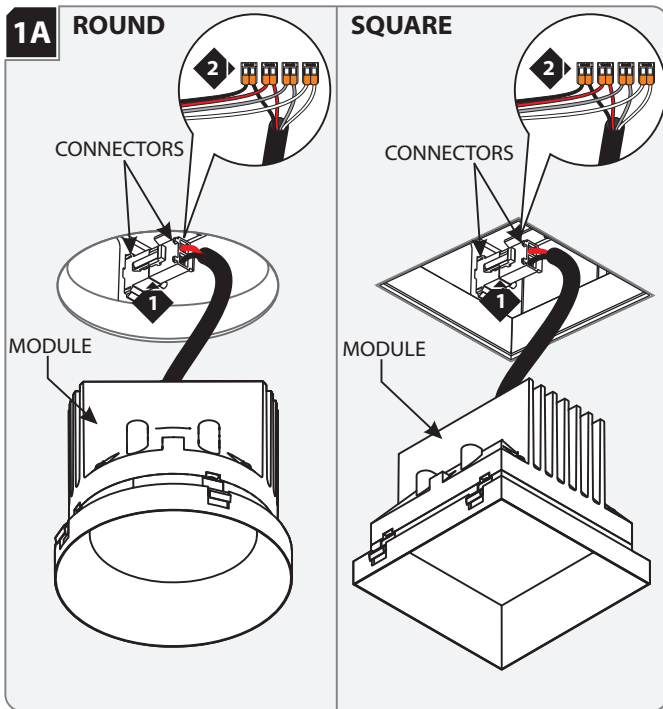
This product is suitable for indoor locations.

This instruction shows a typical installation.

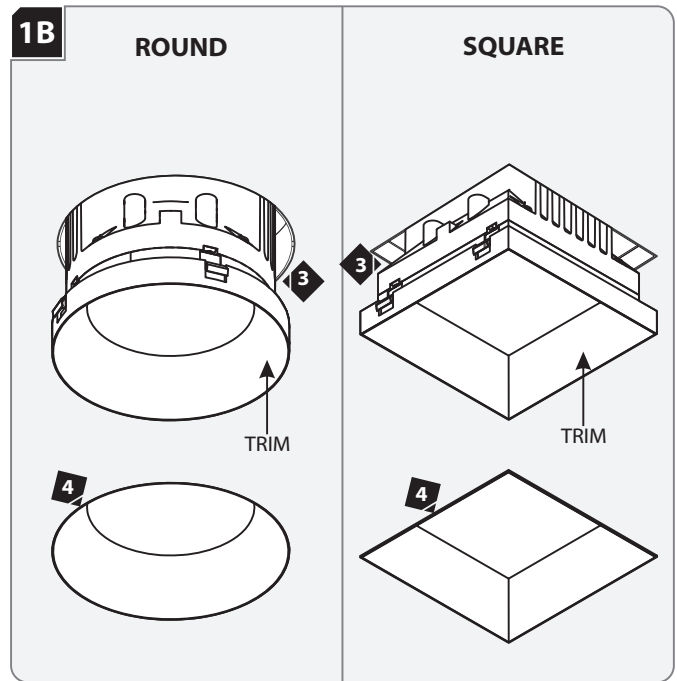


SAVE THESE INSTRUCTIONS!

Install the Module and Trim



- 1 Connect the wall wash module to the fixture using the connectors. **Skip to step 3**
- 2 For Tunable White Versions, connect each module wire to the corresponding Wago connector.



- 3 Align the trim with the inner edge of the plaster plate.
- 4 Push the trim into the plaster plate until it snaps flush to the ceiling.